

# MODULAR 1 & 2 DRAWER CABINETS HANGING BRACKET FIXING

## PLEASE READ THOROUGHLY BEFORE STARTING INSTALLATION:

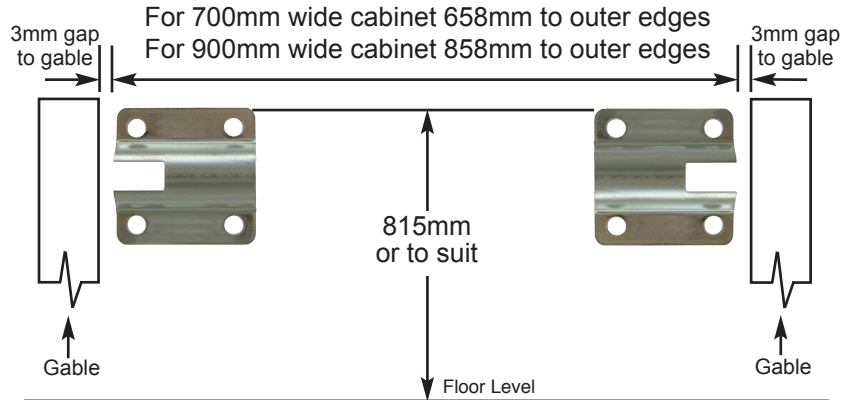
**Drawer Installation Advice.** Eco Bathroom drawers can be removed or re-fitted with just one movement, no levers to press.

**To remove,** fully open drawer and gently lift front end upwards which will release the box from the runners.

**To replace** - insert the drawer box onto runners and close gently, the box will locate and lock itself onto the runners.

**To Adjust** the level of the drawer front by +/- 2mm. Loosen the top screw inside the drawer side, adjust the bottom screw, tighten the top screw to secure.

## Fix Wall Plates to Wall

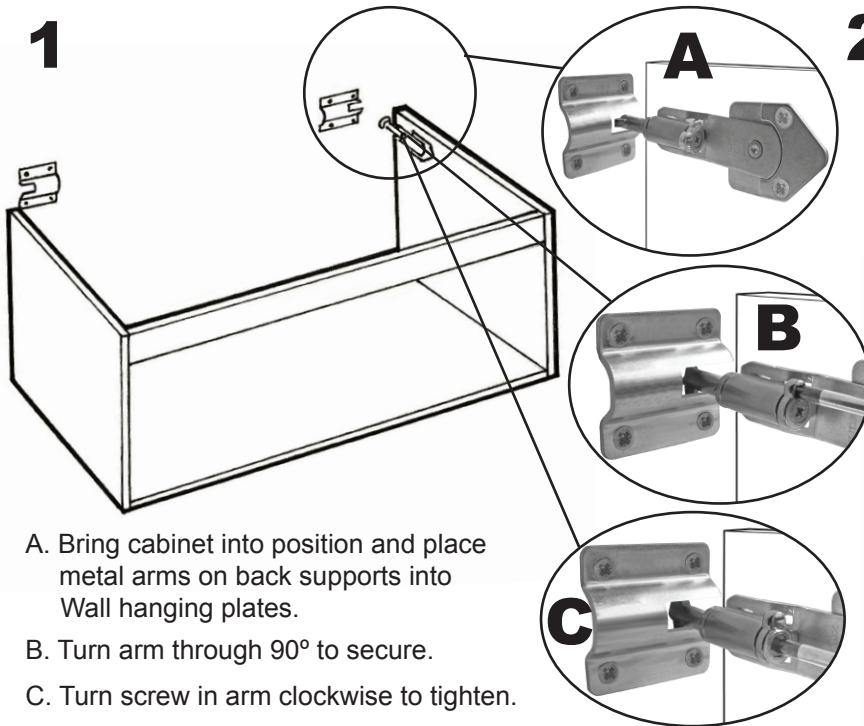


## Wall hanging Plates Fixing Positions:

Securely fix wall plates to wall with the top of the plate positioned at 815mm from floor level or to suit.

## Installation

**1**



- A. Bring cabinet into position and place metal arms on back supports into Wall hanging plates.
- B. Turn arm through 90° to secure.
- C. Turn screw in arm clockwise to tighten.

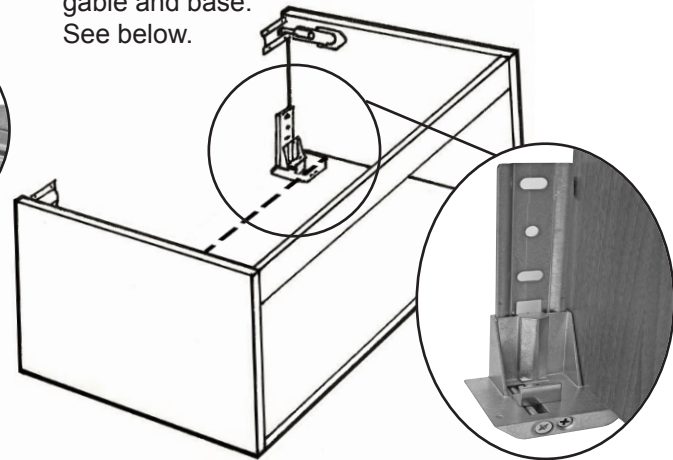
**2**

To mark positions for securing lower support to wall place support under end panels and bottom shelf and mark positions.

Remove unit and fit lower supports to wall.

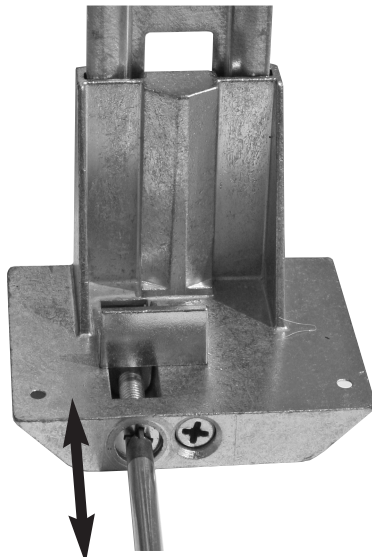
Rehang cabinet, lock back supports in position and tighten.

Adjust lower support which is supporting the gable and base.  
See below.



## Lower Support Adjustment

In & Out Adjustment:



Up & Down Adjustment:

